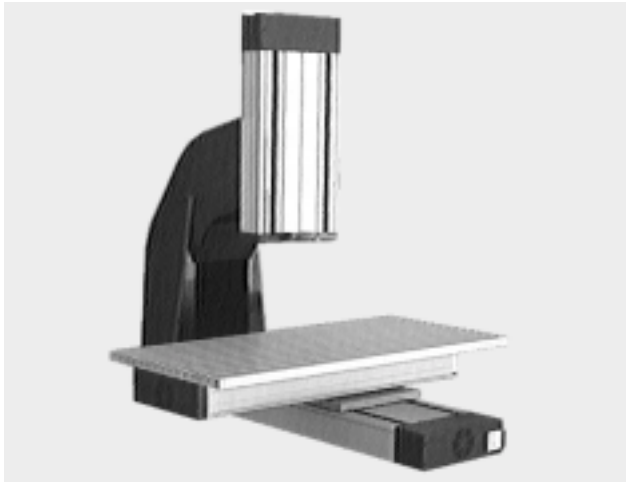
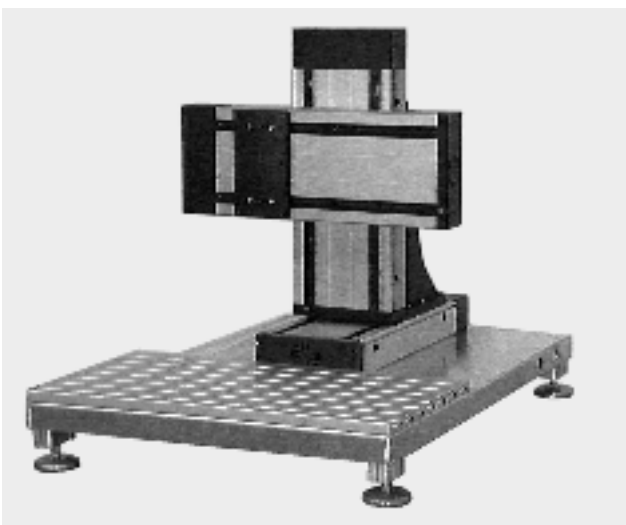


There are several options available when an XYZ configuration is required. Heavy-Duty 2 Slides are recommended for such applications due to the higher load bearing capabilities realized in their single-piece solid steel bearings. Four different configurations are provided here, but they are not intended to be an exhaustive representation of the possibilities. In addition to these, the Gantry III, DaVinci, or Bridge Mounted slide may suitably serve the application. To configure an XYZ system as shown below, the components must be bought as outlined.

Techno would be pleased to quote on preassembled systems



XYZ1: consists of 3 Heavy-Duty 2 slides (page 76), 1 XY Mounting Plate 3 (page 127), and 1 Series 4 right angle mounting plate (page 122).



XYZ3: consists of 3 Heavy-Duty 2 slides (page 76), 1 Series 3 right angle mounting plate (page 122), 1 XY mounting plate 3 (page 127).



XYZ2: consists of 3 Heavy-Duty 2 slides (page 76), 1 Series 3 right angle mounting plate (page 122), 1 XY mounting plate 3 (page 127).