



Stepper Motor Assemblies

STEPPER MOTOR MODULE FORMAT 1

(Gantry III, Bridge Mount, Standard-Duty and Narrow Profile 1)

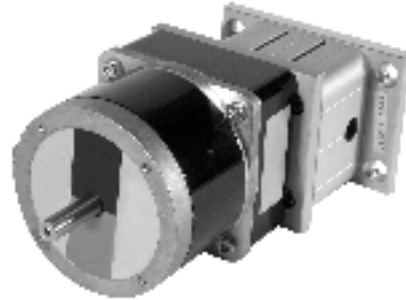
◆ Complete assembly with 1/4" - 1/4" shaft coupling



STEPPER MOTOR MODULE FORMAT 2

(Gantry III, Bridge Mount, Standard-Duty and Narrow Profile 1)

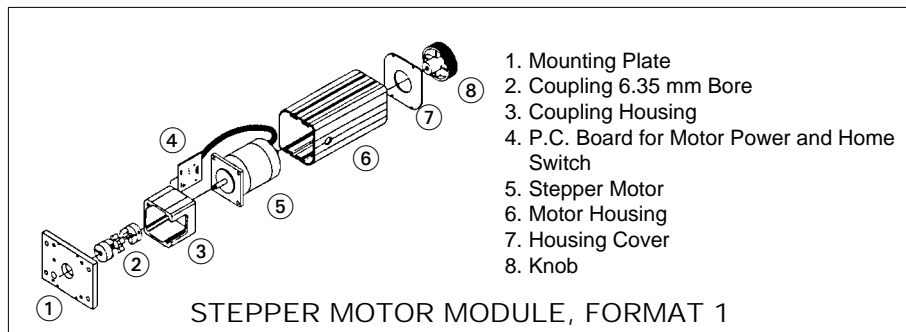
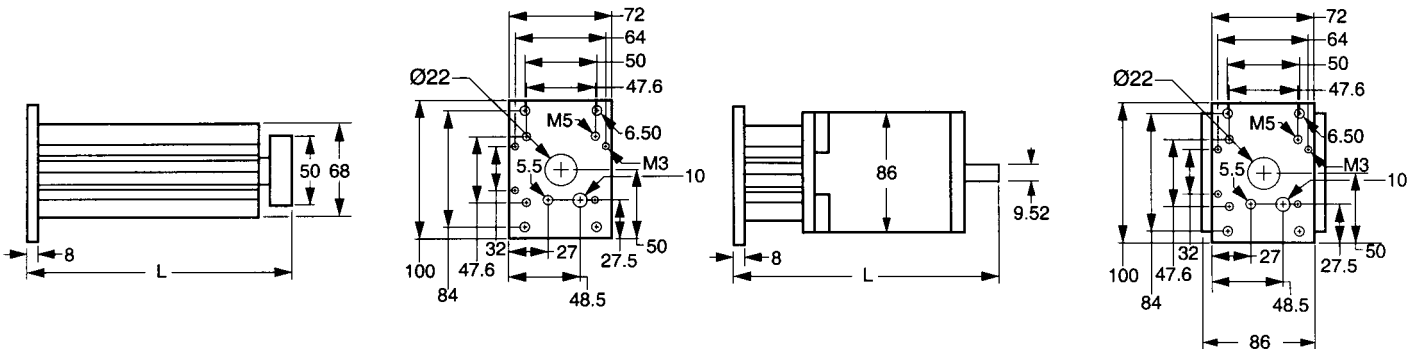
◆ Complete assembly with 1/4" - 1/4" shaft coupling



Catalog Number	Holding Torque oz·in	L Length in	Wt. lbs
HL2600M210000	58	5.6	2.2
HL2600M210001	125	6.6	2.6
HL2600M210002	150	7.5	3.1

Catalog Number	Holding Torque oz·in	L Length in	Wt. lbs
HL2600M210005	174	6.0	5.5
HL2600M210006	306	7.3	6.2

DIMENSIONS (mm)



NOTE: These assemblies are ready to be bolted to any Bridge Mount, Standard-Duty, Narrow Profile 1 or Gantry III table.





Stepper Motor Assemblies

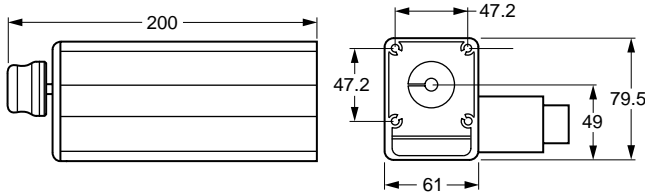
STEPPER MOTOR MODULE FORMAT 3

(Heavy-Duty 2 and Narrow Profile 2 Slides)

- ◆ Complete assembly with 1/4" - 8 mm shaft coupling



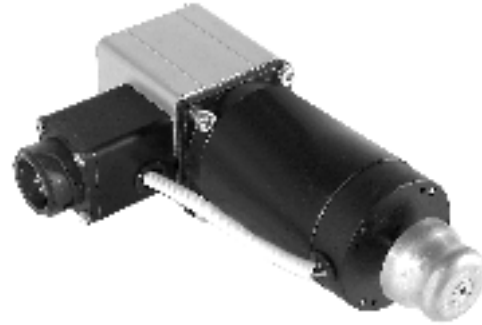
Catalog Number	Holding Torque oz•in	Length in	Wt. lbs
HL2600M3989001	150	7.87	3.1



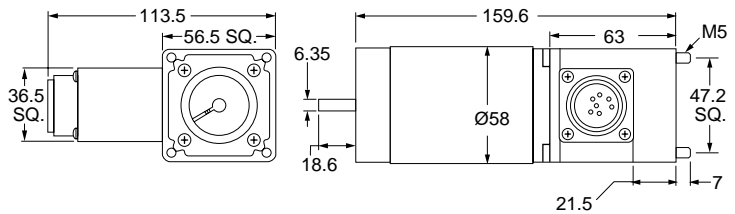
STEPPER MOTOR MODULE FORMAT 4

(Narrow Profile 1 Belt Slide)

- ◆ Complete assembly with 1/4" - 1/4" shaft coupling



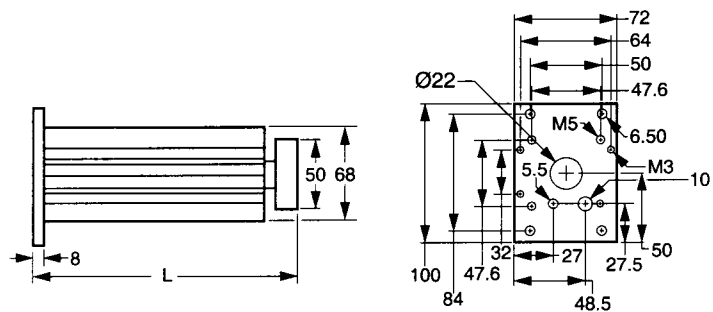
Catalog Number	Holding Torque oz•in	Length in	Wt. lbs
HL2600M210022	125	7.0	3.5



STEPPER MOTOR MODULE BRAKE MOTOR (Z-Axis Slide)



Catalog Number	Holding Torque oz•in	Length in	Wt. lbs
HL2600M210100	150	8.75	5.2



3 ELECTRONICS